



Mobile FumeKART

MECHANICAL ENGINEERING, BEAUTY

Last Updated on 28.08.2018



Multi purpose mobile dust and fume extraction system for a wide range of applications.

The BOFA FumeKART is the ideal portable air extraction and filtration unit and can be applied to a variety of applications.

Designed to filter dust particles, mould spores, solvent vapours and other pollutants from the work environment, the FumeKART is easy to operate and maintain and provides the additional benefit of being fully portable.

The FumeKART mobile fume extractor provides users with flexibility and the assurance of high performance filtration. A filter condition indicator is included as a standard feature, together with three stage filtration: pre filter, HEPA and gas filter.

Ideal for laser applications, hand soldering, jewellery manufacturing, laser hair removal and lots more...

Technology



DeepPleat pre filter



HEPA filter



Advanced carbon filter technology



Multi voltage sensing unit



ProTECT service plan



SureCHECK quality standard

Key features of the Mobile FumeKART

Three stage filtration - F8 Pre filter / HEPA / Gas filter
Standard

Low noise level
Standard

VOC Sensing (Volatile Organic Compound)
Optional

Complete with filter condition indicator
Standard

Digital air flow control
Standard

Various Arm / Hood Options
Optional

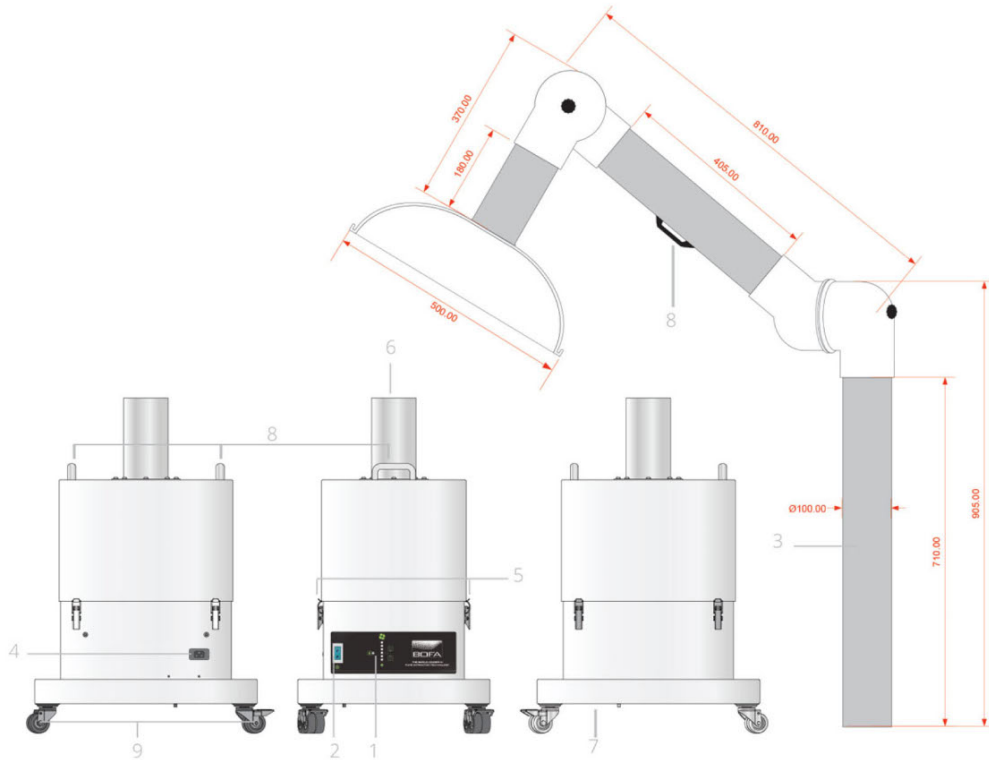
VODEX Ltd.

Unit 9, Claylands Business park
Claylands Road, Bishops Waltham
Southampton, Hampshire, SO32 1QD

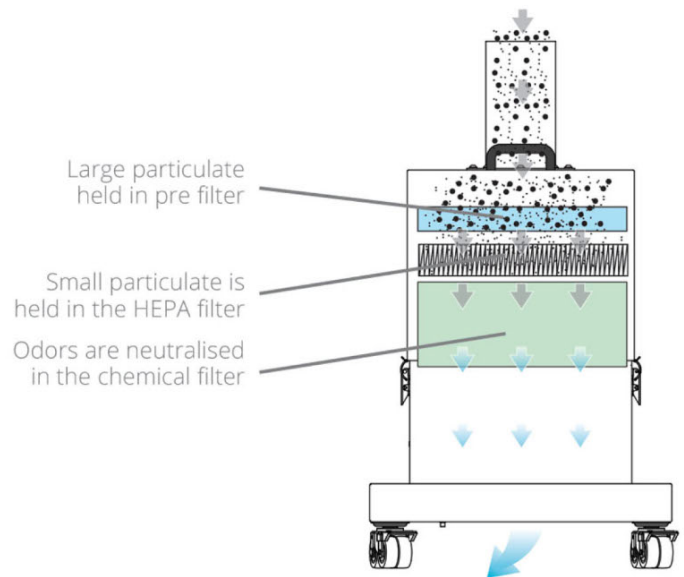
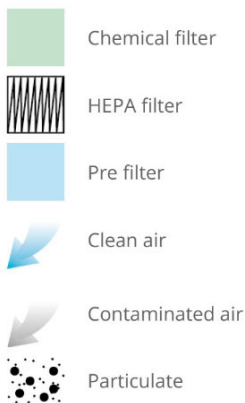
W: www.vodex.co.uk - T: +44 (0) 1489 899 070 - E: sales@vodex.co.uk

Technical specification

- | | | | |
|------------------------------------|--------------------------|-----------------------------|----------------------|
| 1. Unit / Filter condition display | 2. On / Off switch | 3. Extractor arm - 75/100mm | 4. Power cable inlet |
| 5. Filter housing latch | 6. Hose inlet connection | 7. Exhaust outlet | 8. Handle |
| 9. Castors | | | |



Airflow through filters



Technical data

	CE	US
Dimensions (HxWxD)	840 x 475 x 550mm (without arm / spigot)	33.07 x 18.70 x 21.65"
Cabinet construction	Powder coated mild steel	Powder coated mild steel

VODEX Ltd.
 Unit 9, Claylands Business park
 Claylands Road, Bishops Waltham
 Southampton, Hampshire, SO32 1QD

W: www.vodex.co.uk - T: +44 (0) 1489 899 070 - E: sales@vodex.co.uk

Technical data		
Blower	Centrifugal turbine	Centrifugal turbine
Airflow	380m ³ /hr	223cfm
Electronics	90 - 257v 1ph 50/60Hz Full load current: 12.5 amps	90 - 257v 1ph 50/60Hz Full load current: 12.5 amps
Noise level	< 64dBA (at typical operating speed)	< 60dBA (at typical operating speed)
Weight	54kg	119lbs
Approvals	CE	CE

Pre filter specifications	
Surface media area	8.25m ² approx (88.77 ft ²)
Filter media	Glass fibre
Filter media construction	Maxi pleat
Housing	Cardboard
Filter efficiency	95% @ 0.9 microns

Combined filter specifications	
HEPA filter media	Maxi pleat
HEPA media construction	Maxi pleat construction with webbing spacers
Filter efficiency	99.997% @ 0.3 microns
Surface media area	3.5m ² (37.66 ft ²)
Treated activated carbon	12kgs (26.4 lbs)
Filter housing	Zintec mild steel

Unit		
Model	Arm size	Part number
FumeKART	100mm	L3324A
FumeKART	75mm	L3224A

Unit Option			
Description	Feature	Arm Size	Part Number
FumeKART	VOC Monitoring	100mm	L3324A0004
FumeKART	VOC Monitoring	75mm	L3224A0004

Replacement Filters	
Description	Part Number
Pre Filter	A1030167

Replacement Filters

Combined Filter	A1030166
-----------------	----------

75mm Arm Attachments

Description	Part number
75mm Pen Nozzle	A1060150
200mm Funnel	A1020344
420 x 320mm Clear Hood	A1020384
380mm Clear Round Hood	A1080136

100mm Arm Attachment

Description	Part Number
380mm Metal Round Hood	A1060151
500mm Clear Round Hood	A1060152



VODEX Ltd.
Unit 9, Claylands Business park
Claylands Road, Bishops Waltham
Southampton, Hampshire, SO32 1QD

W: www.vodex.co.uk - T: +44 (0) 1489 899 070 - E: sales@vodex.co.uk