

## FC FumeCAB 600

### Now featuring LED Strip Light

With the introduction of the new HSG258 code of practice, partial enclosures are steadily becoming the preferred option for operator protection from fumes generated from processes such as hand soldering, solvent use, and other processes that produce harmful fumes. BOFA's FumeCAB 600 fume cabinet has been purposely designed to help employers comply to these new regulations.

#### STANDARD FEATURES:

- LED strip light
- Powder coated white
- Strong rigid construction
- 2 x 1.5 meters of 75mm flexible hose

#### OPTIONAL FEATURE:

- V600 filtration unit

The complete  
solution for  
fume cabinet  
extraction  
for various  
applications



FumeCAB 600

#### TYPICAL APPLICATIONS:

- Hand soldering
- Conformal coating
- Gluing
- Solvent cleaning
- Solder pots
- Powder handling
- Rework stations



FumeCAB 600 Back



V600

PART NUMBERS		
Model	Part Number	VOC Monitoring
FumeCAB 600	A1020128	N/A
FumeCAB 600 and V600 fitted with combined HEPA/Gas filter	E1142A0005	A2003

TECHNICAL DATA - FUMECAB 600		
	230V	115V
Dimensions (HxWxD)	350 x 540 x 360mm	13.4 x 21.3 x 14.7"
Opening Dimensions (HxW)	315 x 540mm	12.4 x 21.3"
Recommended Face Velocity	0.5m/s	150 f/min

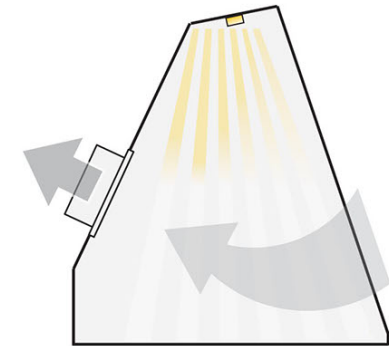
TECHNICAL DATA - V600		
	230V	115V
Dimensions (HxWxD)	590 x 375 x 415mm	23.2 x 14.8 x 16.3"
Cabinet Construction	Powder coated mild steel	Powder coated mild steel
Airflow / Pressure	350m <sup>3</sup> /hr / 96mbar	206cfm / 96mbar
Electrical Data	90-257v 1ph 50/60Hz Full load current: 12.5 amps / 1.1kw	
Noise Level	< 56dBA*	< 56dBA*
Weight	35kgs	77lbs
Duct Size	2 x 75mm	2 x 3"
Duct Run	30mtrs	98ft

\* At typical operating speed.

V600 PRE FILTER SPECIFICATIONS	
Surface Media Area	6m <sup>2</sup> approx
Filter Media	Glass Fibre
Filter Media Construction	Folded
Filter Efficiency	F8 (95% @ 0.9 microns)

V600 COMBINED FILTER SPECIFICATIONS	
HEPA Filter Media	Glass Fibre
HEPA Media Construction	Maxi Pleat Construction with Webbing Spacers
Treated Activated Carbon	8.5kgs
Filter Housing	Zintec Mild Steel
Filter Efficiency	99.997% @ 0.3 microns

## AIRFLOW THROUGH FILTERS



## TECHNICAL SPECIFICATION



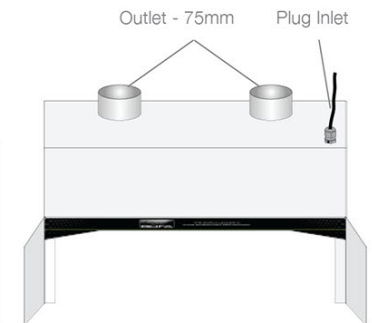
Internal LED Lights



Left Side



Front



Top



VODEX Ltd.  
 Unit 9, Claylands Business Park  
 Claylands Road, Bishops Waltham  
 Southampton, Hampshire, SO32 1QD  
 W: [www.vodex.co.uk](http://www.vodex.co.uk) - T: +44 (0) 1489 899 070 - E: [sales@vodex.co.uk](mailto:sales@vodex.co.uk)



British Quality

