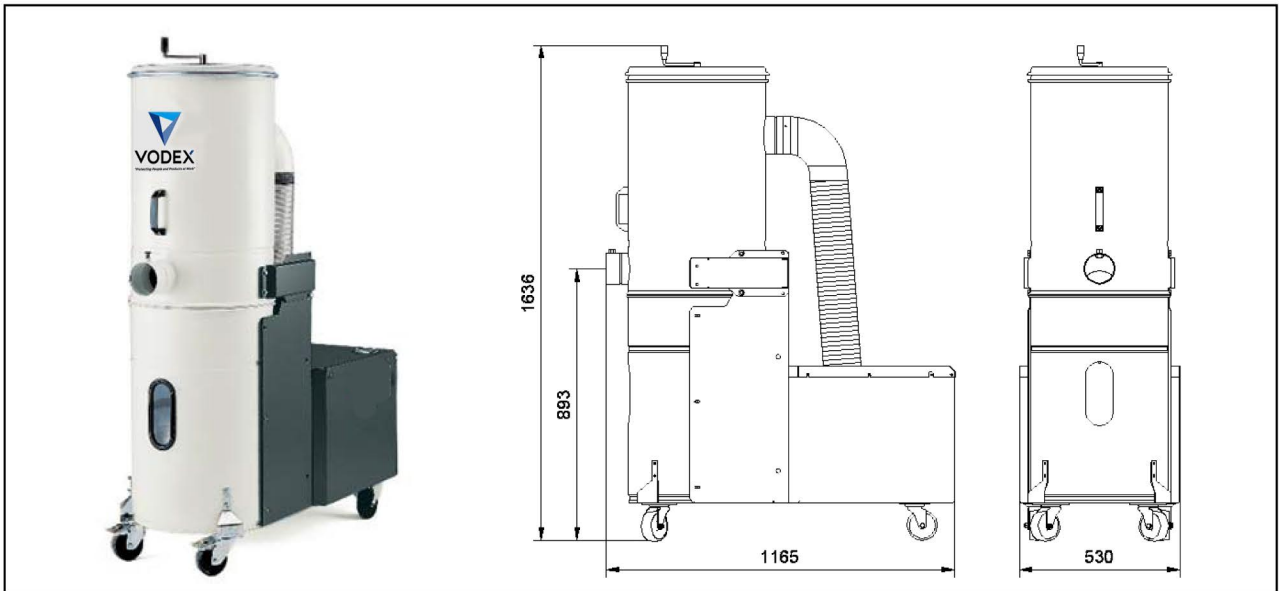


# DUSTOMAT-10 / 230 V

(09.201)

Voltage	(V)	230	Filter surface	(m <sup>2</sup> )	3,5
Motor	(kW)	1,3	No. of filter elements	(pc)	1
Ampere	(A)	8,0	Filter material	„M“-classified	
Rated frequency	(Hz)	50	Filter cleaning	manual brush cleaning	
Fuse	(A)	16	Weight	(kg)	120
max. neg. pressure	(Pa)	2.800	Intake	(mm)	100
max. airflow	(m <sup>3</sup> /h)	720	Dust collection bin	(Liter)	100
Sound level	(dB (A))	73	Dimensions (l x w x h)	(mm)	1.165 x 530 x 1.636



**Application range:**

Dust extraction of individual machines and manual workstations  
 Pourable dust types – including hazardous types of dust

**Your benefits at a glance:**

Low operating costs resulting from cleanable long life filter cartridges  
 Mobility combined with high extraction performance  
 Tilt-back filter housings for easy dust disposal  
 Suitable for most types of dust

**Characteristics:**

Filter cleaning method:  
 Brush cleaning method (manually)  
 Cleanable long life cartridge filters (Dust classification M)

Special equipment with different filter cartridges, exhaust air socket, special voltage, special painting, pre-separator, floor and machine cleaning tools possible

State of the art: 09215-51-02 Subject to change without notice! For remaining questions please do not hesitate to contact us.